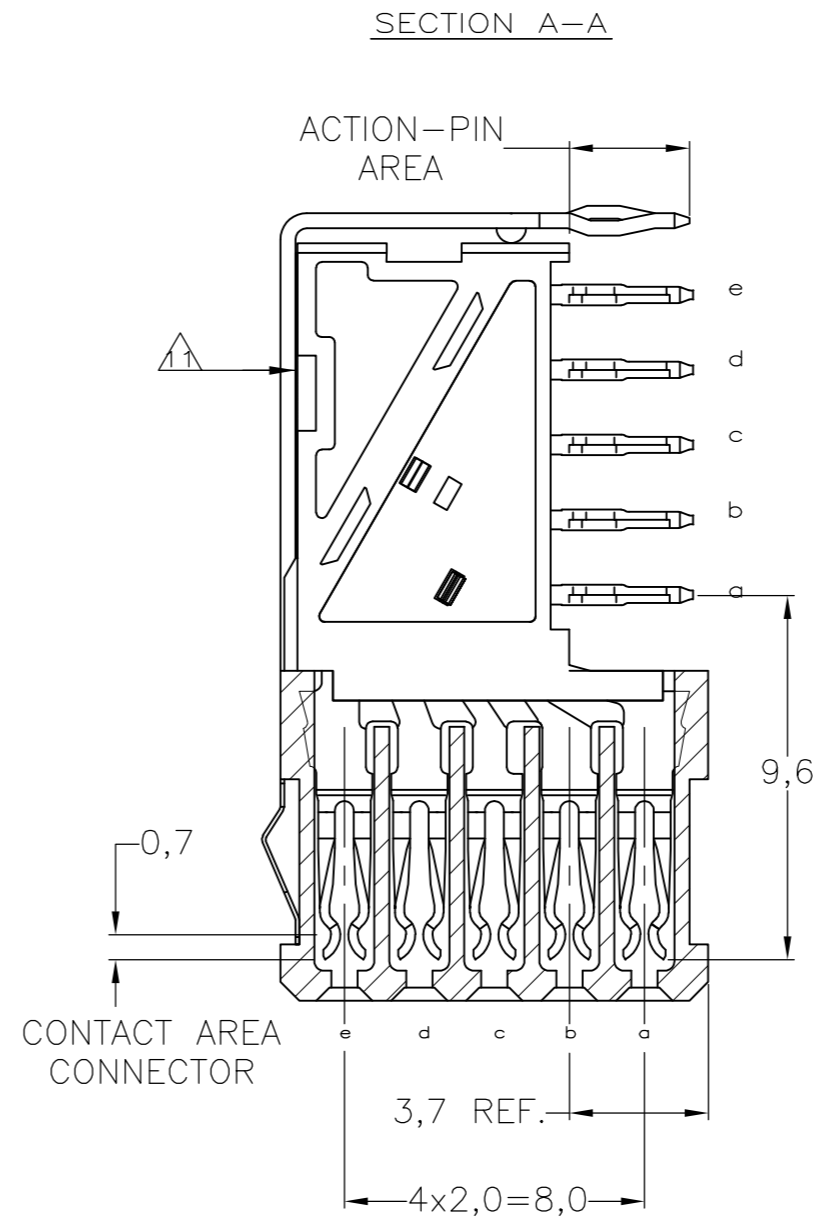
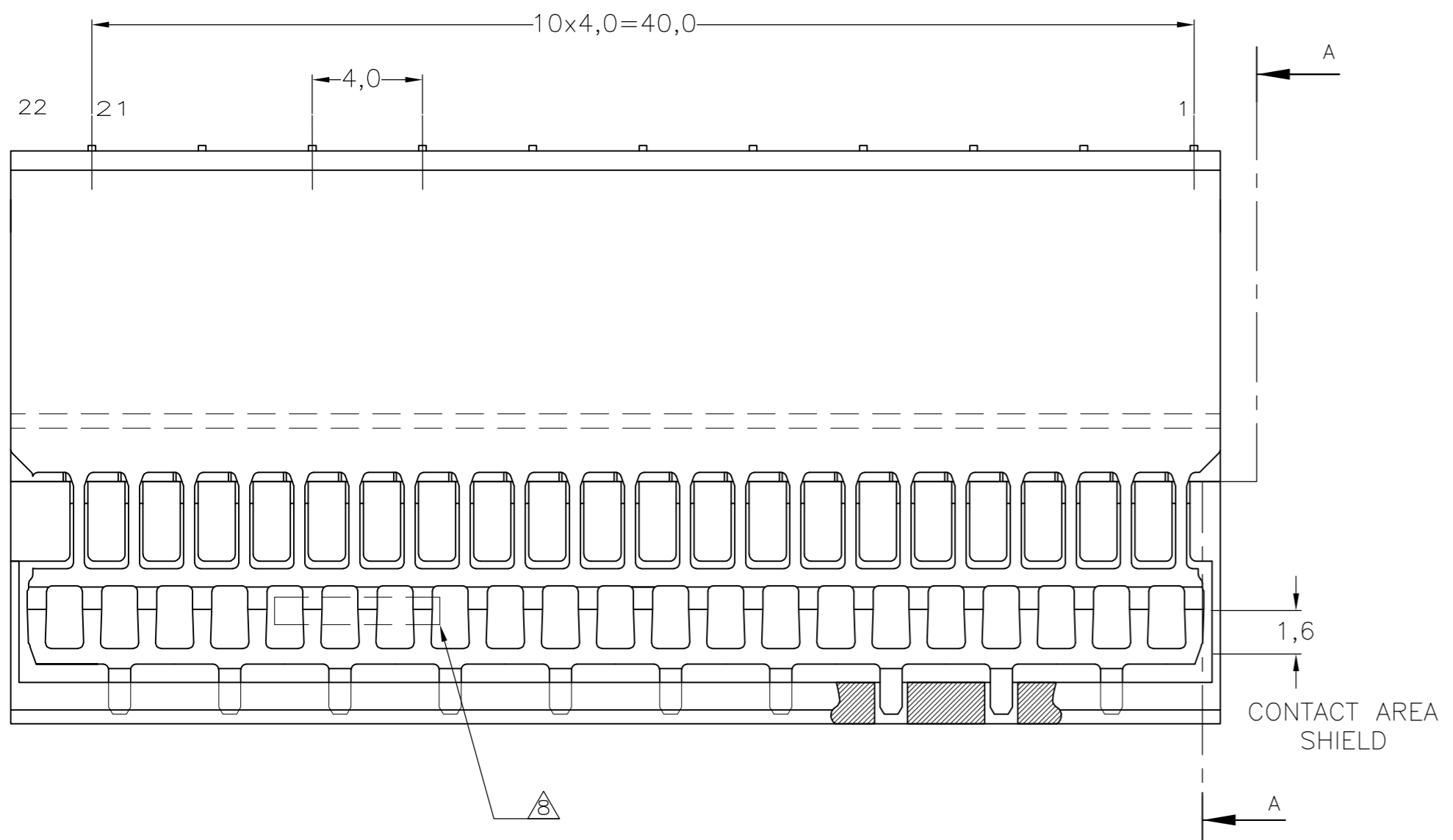
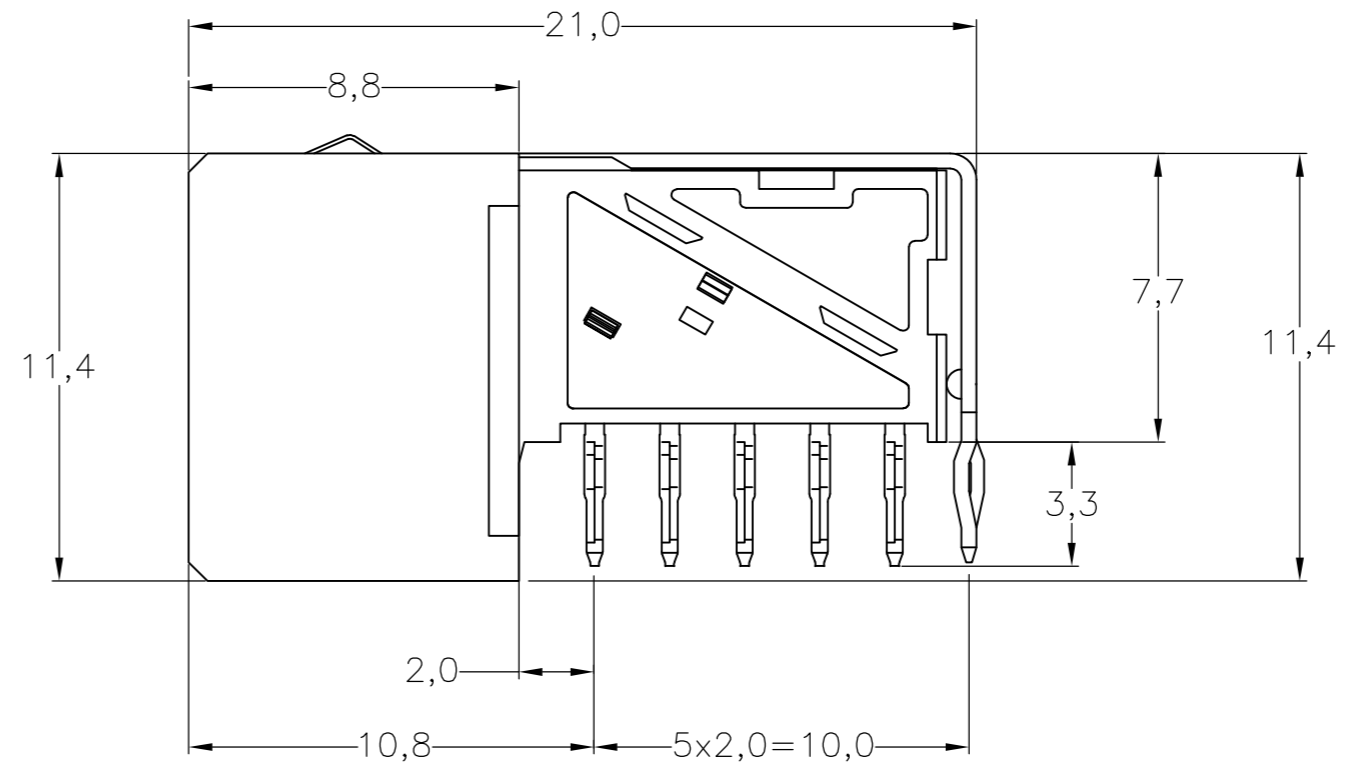
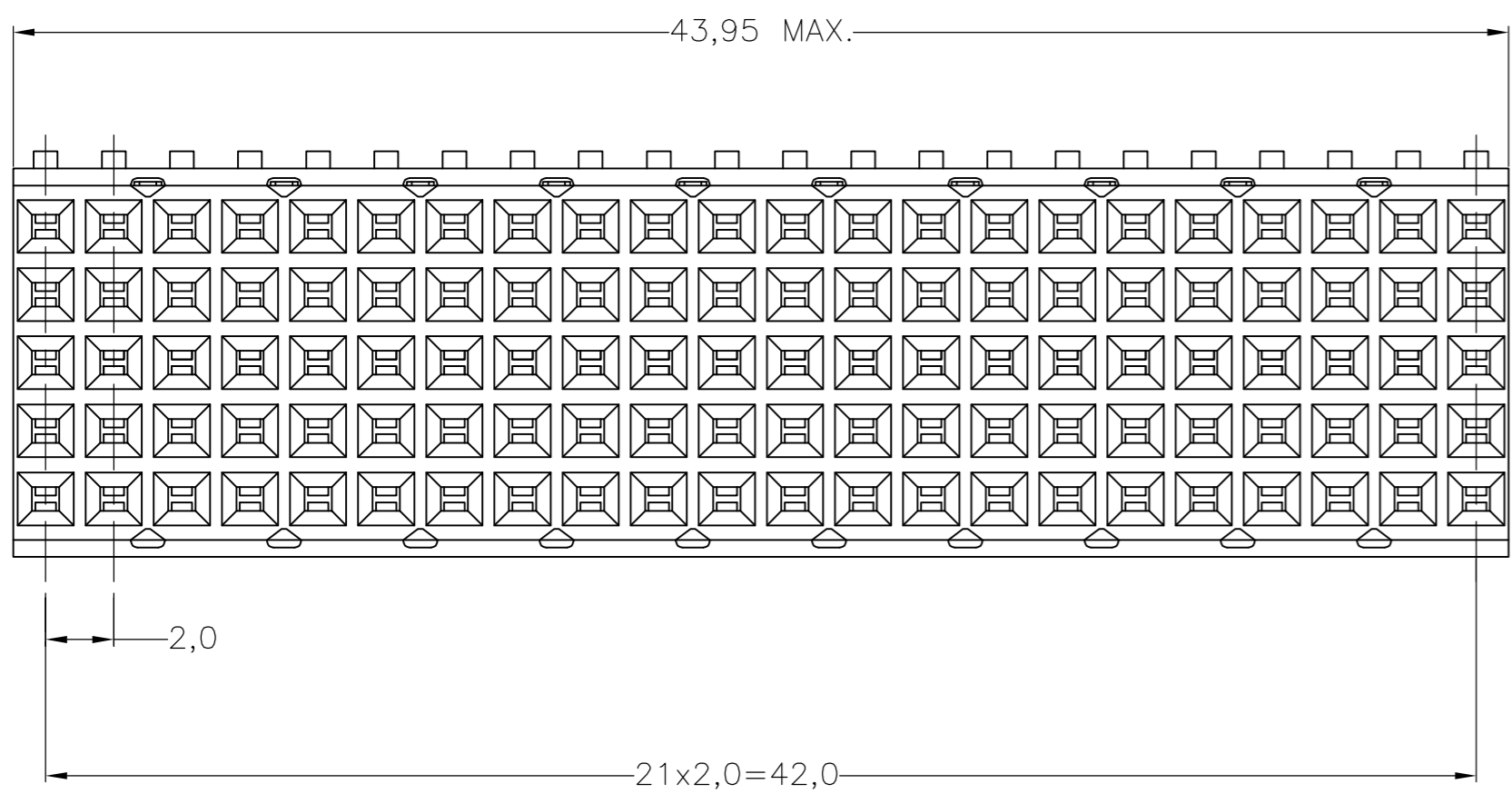


THIS DRAWING IS UNPUBLISHED. RELEASED FOR PUBLICATION  
 © COPYRIGHT - By - ALL RIGHTS RESERVED.

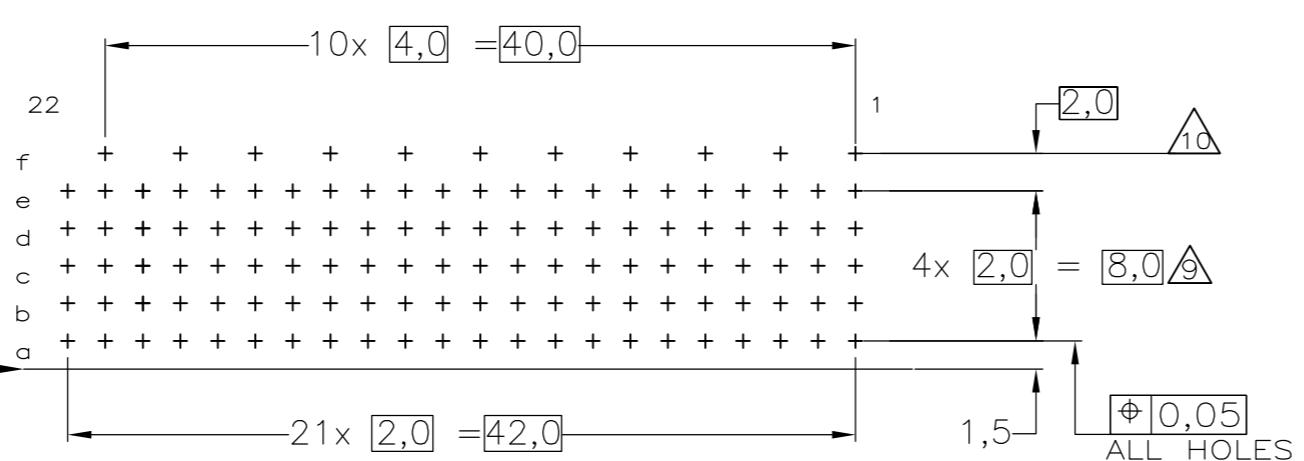
LOC		DIST		REVISIONS			
P	LTR	DESCRIPTION		DATE	DWN	APVD	
	L	REVISED PER ECO-13-014710		07NOV2013	SY	FY	



- NOTES:
- 1 MATERIAL CONTACTS; PHOSPHORBRONZE  
MATERIAL HOUSING; GLASSFILLED POLYESTER (GRAY)
  - 2 GENERAL PLATING SPECIFICATION: UNDERPLATING (ENTIRE CONTACT): 1,27µm NICKEL MIN. AND ACTION PIN: 0,5µm TIN-LEAD MIN. FOR PLATING OF MATING SURFACES SEE APPLICABLE SPECIFICATION REFERENCE FOR EACH DASH NUMBER.
  - 3 CONFORMS TO ALL TESTING ACCORDING IEC 61076-4-101 PERFORMANCE LEVEL 2.
  - 4 CONFORMS TO ALL TESTING ACCORDING IEC 61076-4-101 PERFORMANCE LEVEL 1.
  - 5 CONNECTOR TESTED AND QUALIFIED AGAINST TELCORDIA GR-1217-CORE QUALITY LEVEL III, CENTRAL OFFICE APPLICATIONS.
  - 6 CONNECTOR LUBRICATED WITH TELCORDIA APPROVED LUBRICANT.
  - 8 ASSEMBLY PRINTED WITH P/N AND DATECODE THE MARKING CAN APPEAR ON THE FRONT SIDE OR BACK SIDE.
  - 9 HOLE PATTERN FOR FEMALE CONNECTOR TYPE B-22 COLUMNS 110 PLATED-THROUGH HOLES AT 2x2mm SQUARE GRID
  - 10 ROW "f" 11 PLATED THROUGH HOLES FOR UPSHIELD
  - 11 SHIELD MOUNTED ON CONNECTOR WITH DOUBLE SIDED ADHESIVE TAPE OR ADHESIVE
  - 12 BASIC P.N. LOWERSHIELD: 352468
  - 13 OBSOLETE PARTS: OBSOLETE CIS STREAMLINING PER D.RENAUD/D.SINISI
  - 14 0.76um MIN GOLD PLATING ON MATING SURFACES



SCALE 2,5:1  
 COMPONENT SIDE AS SHOWN  
 RECOMMENDED PCB-HOLE LAY-OUT



P.C.B. HOLE DIM. ACTION PIN  
 FOR DETAILS SEE  
 APPLICATION SPECIFICATION

FINISH	MATERIAL	PARTNUMBER
2,3,4	1	3-352152-0
2,3,6	1	352152-9
2,4	1	352152-4
2,3	1	352152-1

THIS DRAWING IS A CONTROLLED DOCUMENT.

DWN	D. TRUREN	23SEP96
CHK	-	-
APVD	-	-
PRODUCT SPEC	108-19082	
APPLICATION SPEC	114-19029	
WEIGHT	-	
MATERIAL	-	
FINISH	-	

TE Connectivity

Z-PACK 2MM HM  
 TYPE B - 22 COLUMNS  
 PRE-SHIELDED RECEPTACLE

SIZE	A2	CAGE CODE	00779	DRAWING NO	C=352152	RESTRICTED TO	-
SCALE	NTS	SHEET	1 OF 1	REV	L		

RESTRICTED CUSTOMER